



REPAIR SHOP

by Kathleen McDermott

April 12th - May 25th



Have you ever thrown away a broken toy, game, or electronic? Were you sad to let it go? Have you wondered what could you do instead of putting it in the trash?

Repair Shop is an exhibition by artist Kathleen McDermott at Open Source Gallery where broken objects get new lives. One side of the gallery will be a showroom displaying appliances from McDermott's home that she has transformed - like a sewing machine that doesn't sew well, but works great with a mouth. The other side of the gallery will be a repair shop where you can donate your own objects for "repair" and Kathleen (as well as other artists) will turn them into something new.

What is Open Source Gallery?

Open Source Gallery is a space that brings art to the South Slope community.

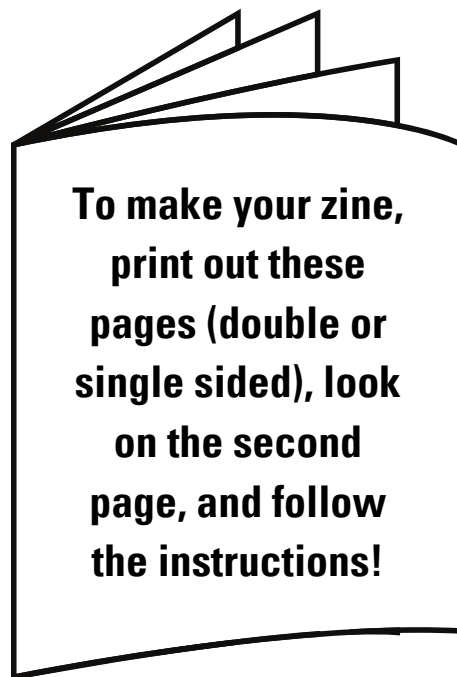


Open Source is located at:
306 17th Street,
Brooklyn, NY,
11215

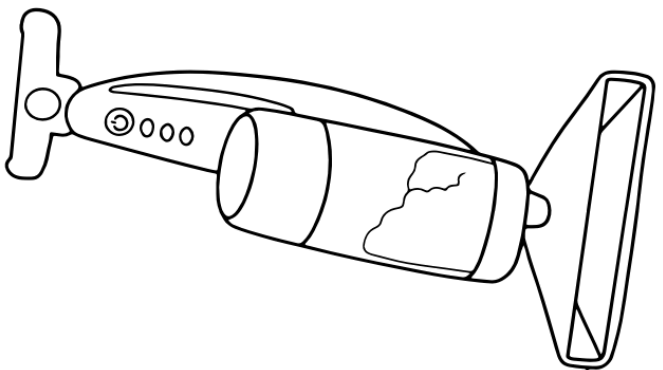
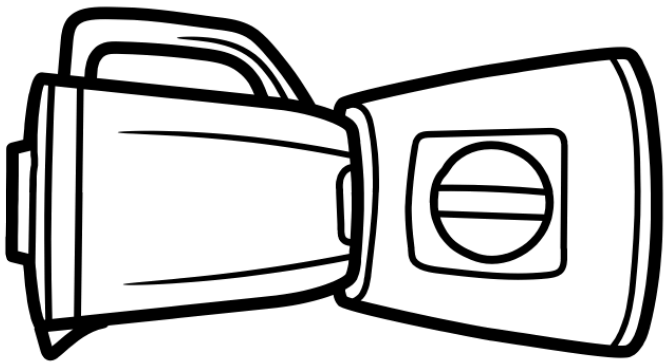
Use your artistic skills to reinvent everyday machines in your own Repair Shop book!

Have you visited Open Source Gallery?

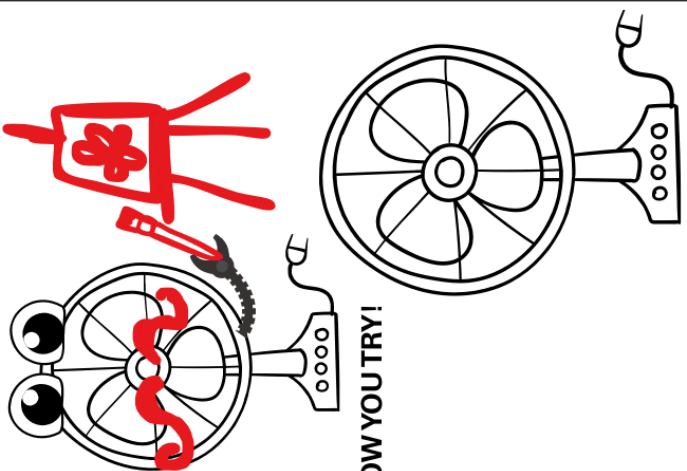
Can you find yourself on this map?



To make your zine, print out these pages (double or single sided), look on the second page, and follow the instructions!



↪ Cut here!

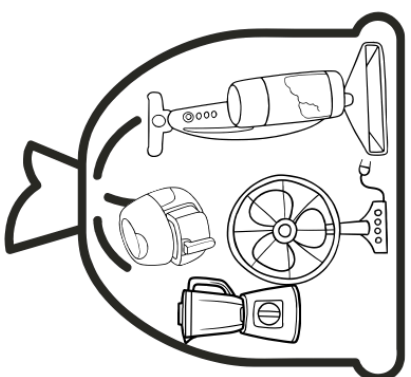


NOW YOU TRY!

ADD FACES, TOOLS, AND MORE

HERE'S AN EXAMPLE:

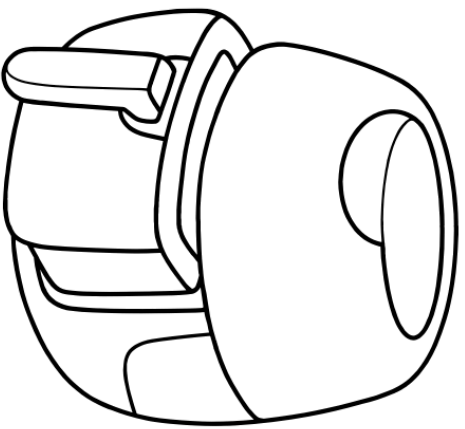
↪ Cut here!



TRASH . . .

THESE MACHINES ARE BROKEN, BUT THEY DON'T WANT TO GO IN THE

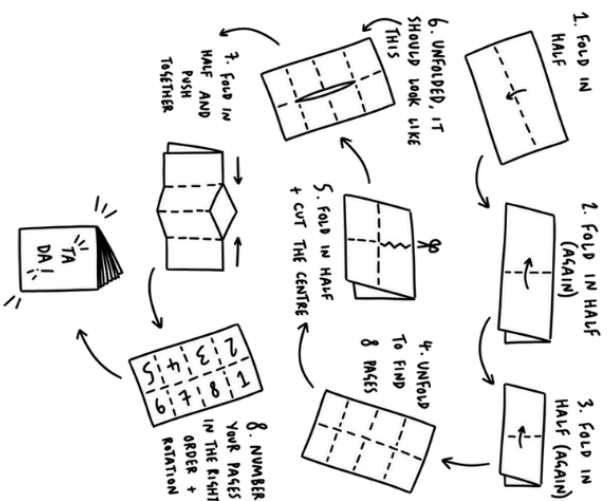
CAN YOU SAVE THESE MACHINES BY GIVING THEM A NEW COSTUME, PERSONALITY, OR JOB?



Visit *Repair Shop* at Open Source Gallery and see **real-life objects** reinvented by Kathleen McDermott and other artists!

Bring in your own old or broken object to see it be transformed into something new!

HOW TO MAKE A ZINE



'S REPAIR SHOP



WORK AS A REPAIR ARTIST TO GIVE OLD OBJECTS A NEW LIFE